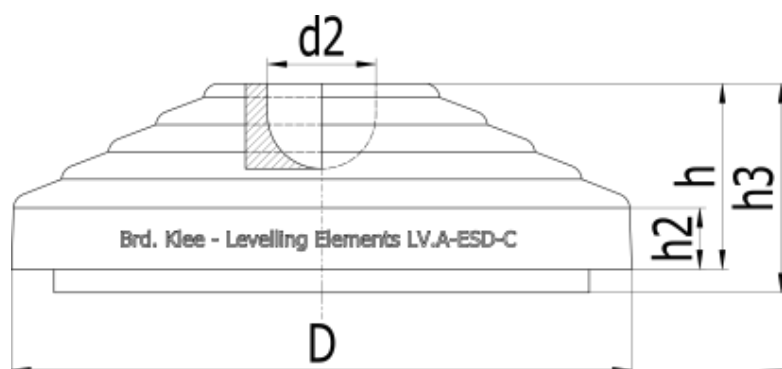


Article number: 2310301772ESD

Description: E+G Antistatic base for levelling elements  
LV.A-125-24-AS-ESD-C

## Measures



D	= 125
d2	= 24
h	= 46
h2	= 15
h3	= 49
N	= 28000
Weight in g	= 190